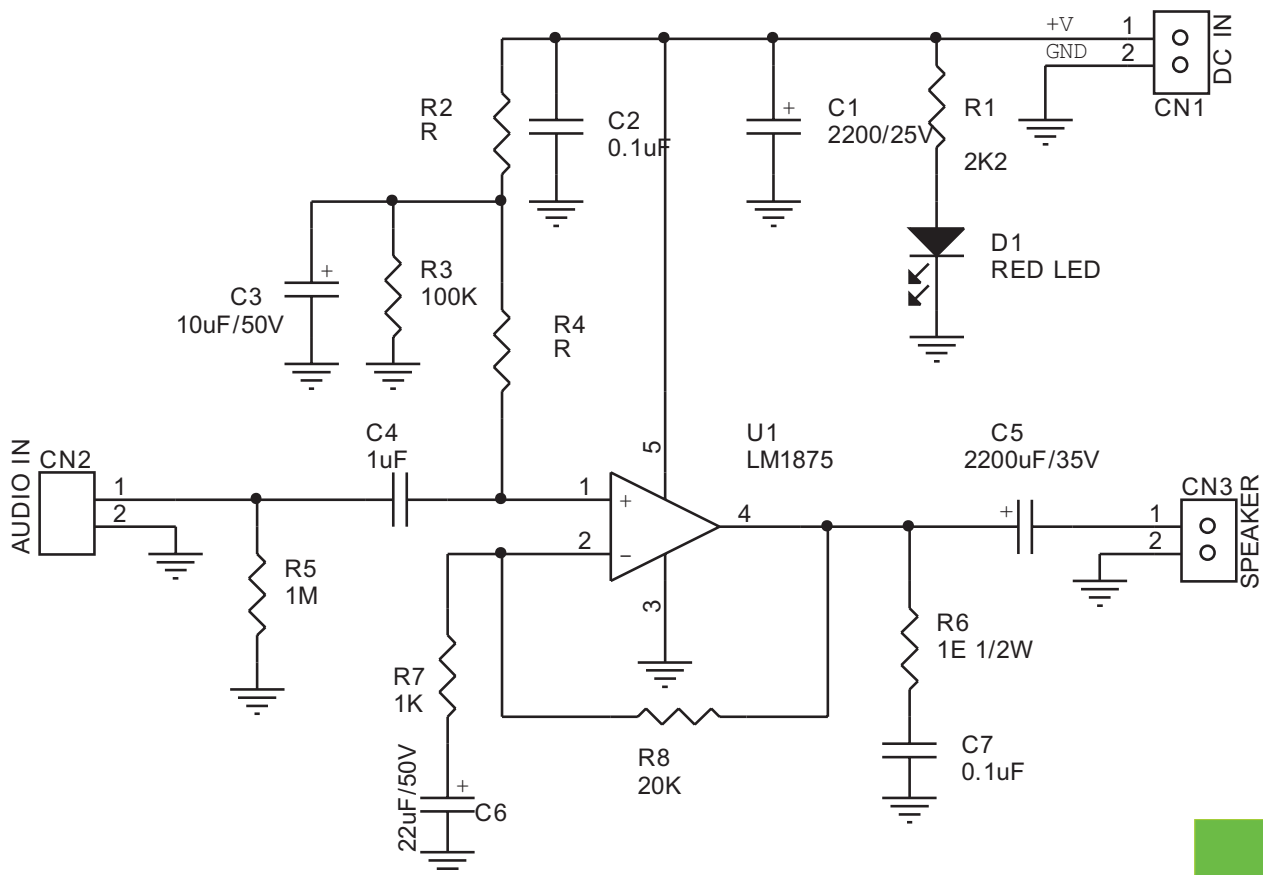


20W AUDIO AMPLIFIER

This Kit is designed to operate with minimum of external components. this amplifier offers high quality performance at vary low distortion. Project is based on nationals LM1875 IC. The IC is thermal and short circuit protected.

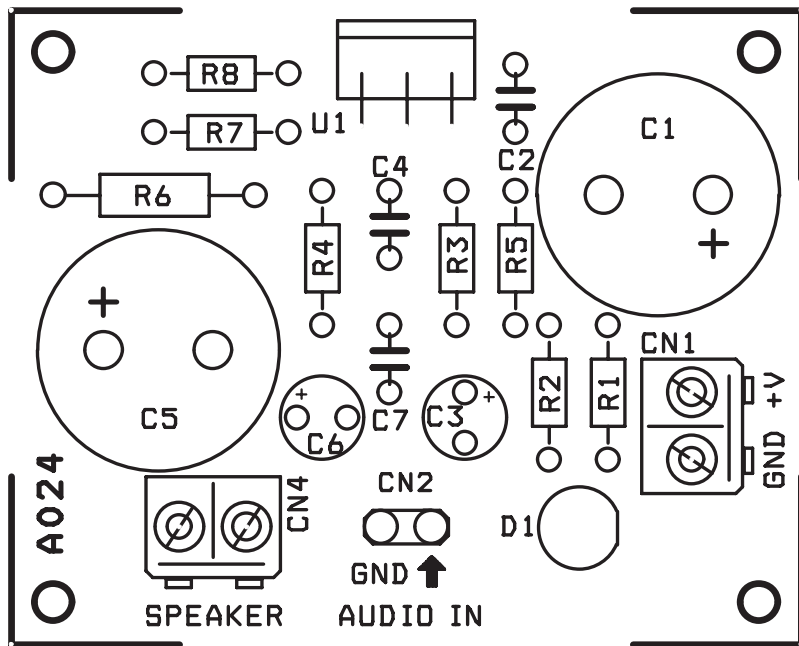
Specifications:

Supply	48V DC
Current consumption	1Amp.
Output	20W @ 4 Ohms Load
Gain	26dB
Frequency Response	20Hz to 20Khz
PCB size	48 X 60 mm



BUILD SMARTER

e-circuits



SR.	QNY.	REF.	DESCRIPTION
1	1	CN1	2 PIN PBT
2	1	CN2	2 PCB PIN
3	1	CN3	2 PIN PBT
4	1	C1	2200/25V
5	2	C2,C7	0.1uF
6	1	C3	10uF/50V
7	1	C4	1uF
8	1	C5	2200uF/35V
9	1	C6	22uF/50V
10	1	D1	RED LED
11	1	R1	2K2
12	2	R2,R4	22K
13	1	R3	22K
14	1	R5	1M
15	1	R6	1E 1/2W
16	1	R7	1K
17	1	R8	20K
18	1	U1	LM1875
19	1	HEATSINK	HS02060
20	2	STUD	ST05008
21	4	SCREW	SC02905
22	1	SCREW	SC02909
23	1	NUT	NT02900