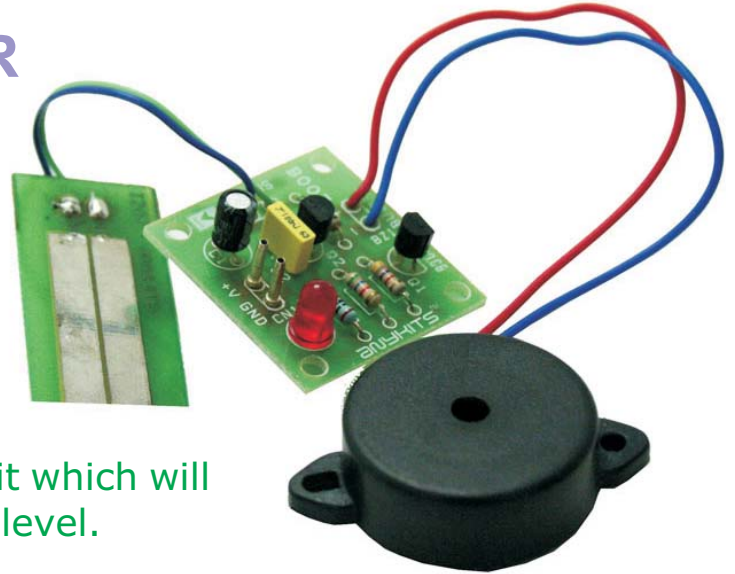
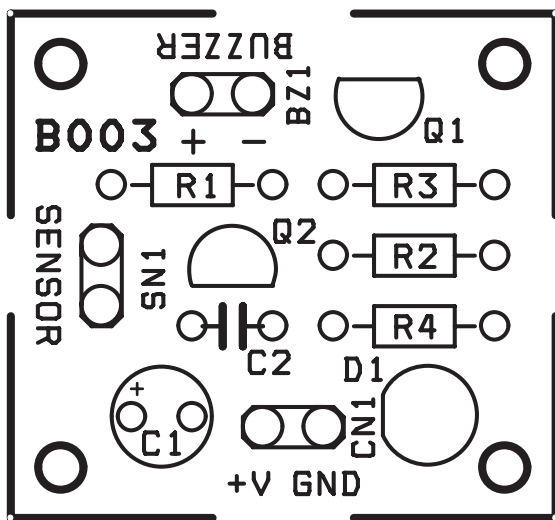


WATER LEVEL BUZZER



Water Level Buzzer is a simple circuit which will buzz when water reaches the sensor level.

✍️ Input supply - 9V DC @ 40mA



SR.	QTY.	REF.	DESCRIPTION
1	1	BZ1	BUZZER
2	1	CN1	2 PCB PINS
3	1	C1	10uF/50V
4	1	C2	0.1uF
5	1	D1	RED LED
6	2	Q1,Q2	BC547
7	1	R1	100K
8	1	R2	5.6K
9	1	R3	4.7K
10	1	R4	1K
11	1	SN1	SENSOR PCB
12	1	WIRE	2 WIRES

