

5

4

3

2

1

D

D

C

C

B

B

A

A

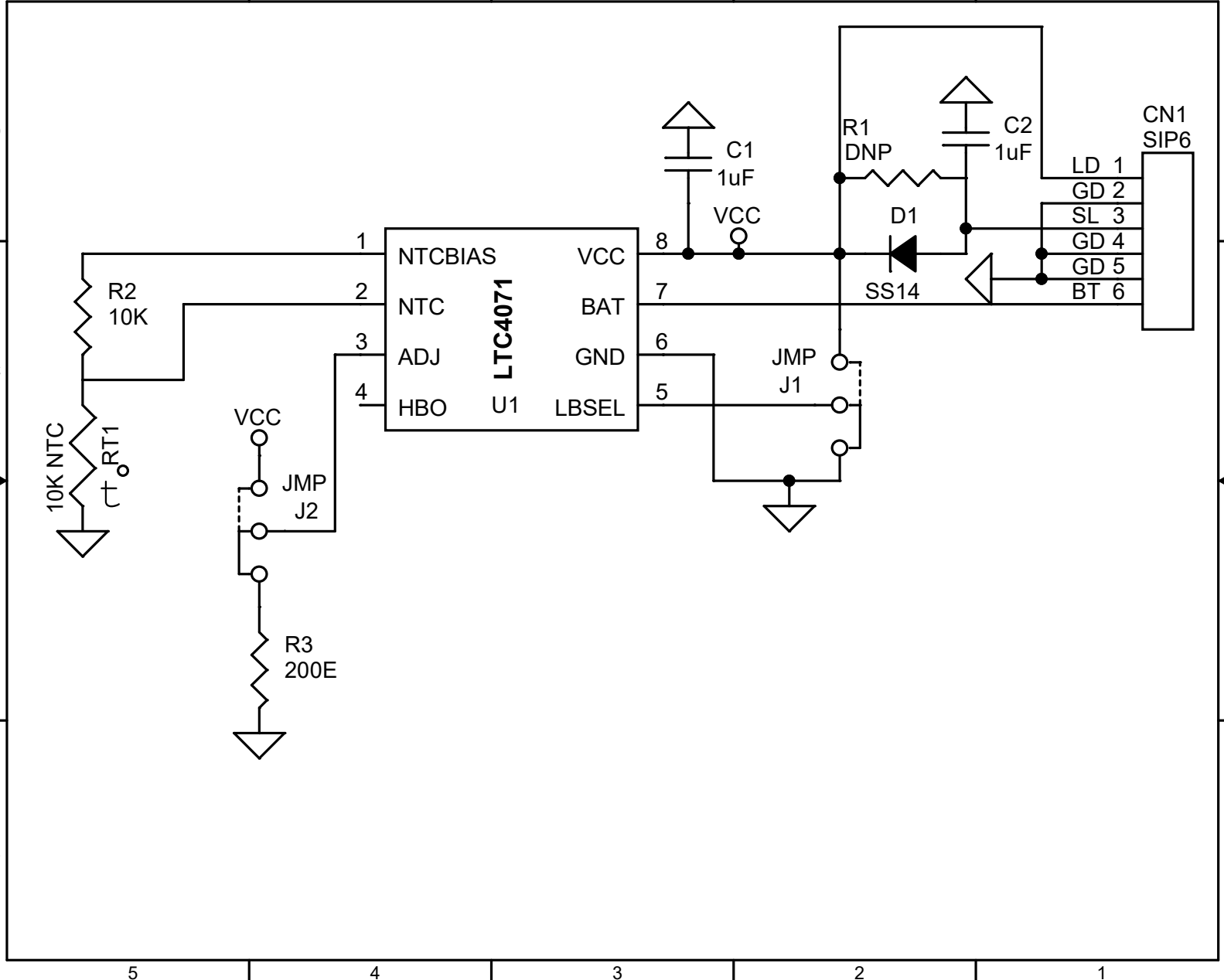
5

4

3

2

1



R2  
10K

10K NTC  
RT1

VCC  
JMP  
J2

R3  
200E

1 NTCBIAS  
2 NTC  
3 ADJ  
4 HBO  
LTC4071  
U1

VCC  
BAT  
GND  
LBSEL

C1  
1uF  
VCC

R1  
DNP

D1  
SS14

C2  
1uF

JMP  
J1

LD 1  
GD 2  
SL 3  
GD 4  
GD 5  
BT 6

CN1  
SIP6