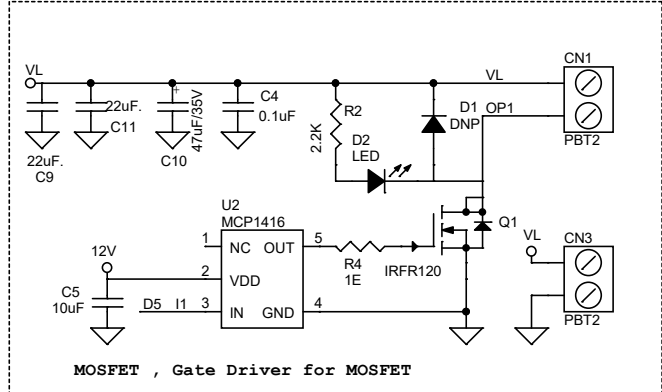
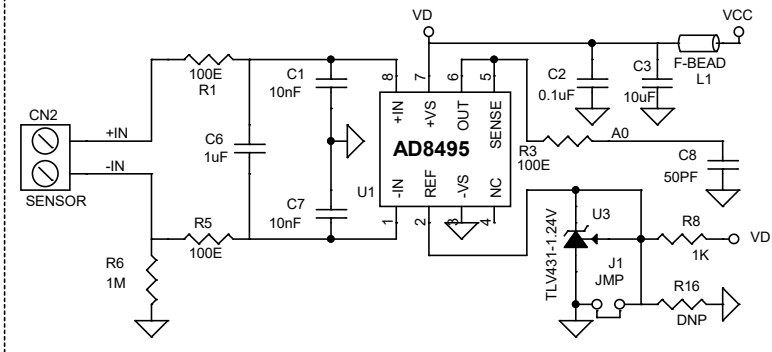
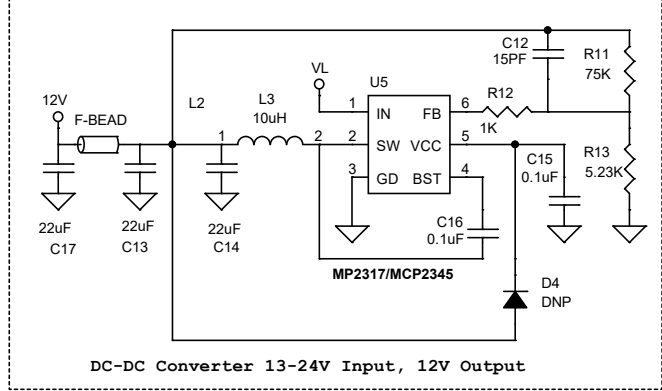
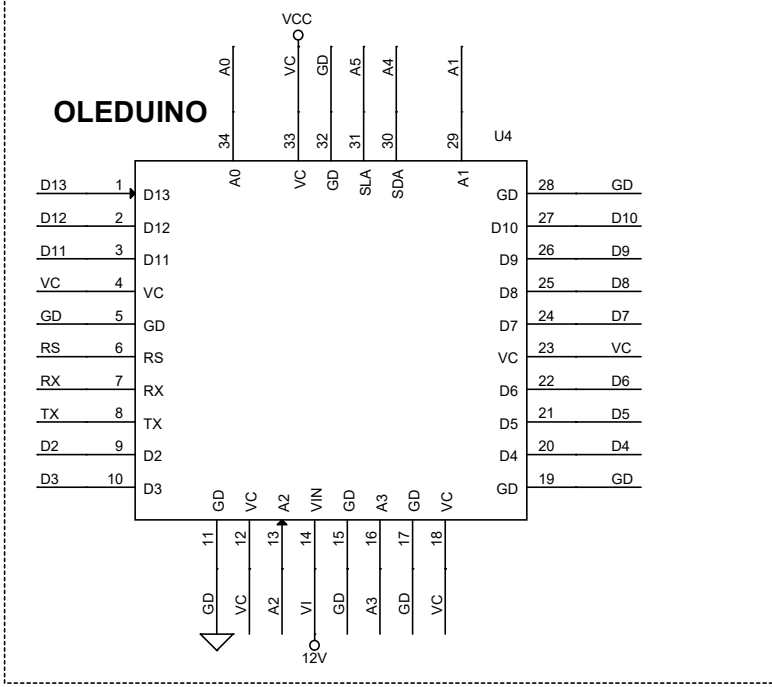


Thermocouple Amplifier - Analog Output

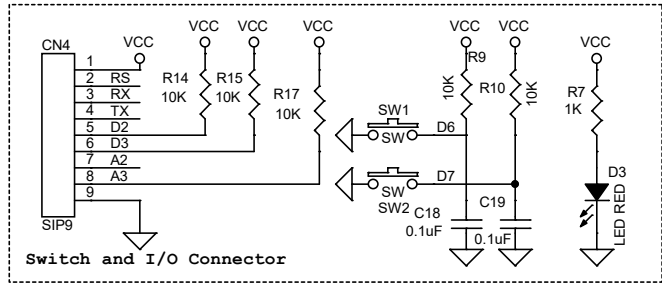


MOSFET , Gate Driver for MOSFET

OLEDUINO



DC-DC Converter 13-24V Input, 12V Output



Switch and I/O Connector